

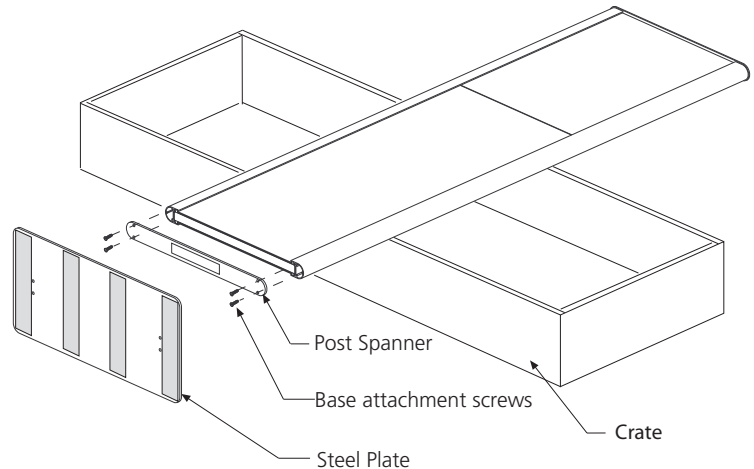
### Assembly Instructions

Unpack contents to access the base plates in the bottom of the crate. These will be secured via screw or bolts to the bottom.

Set the bases aside and lay the kiosk across the crate as shown. Do not immediately unwrap the entire kiosk, to protect the finishes, only peel back top and bottom of the protective wrapping.

The end with the white plate and orange label is where the steel bases will attach.

1. Remove the (4) screws and discard the white Post Spanner. Use these screws to attach the base.
2. Once Base is secured to the kiosk, stand it up and continue to remove packing materials.



### Assembly Hardware



Flat Head-Phillips - Self Threading machine screw (#1/4-20 x 1" Type F)  
Quantity: (4)



#3 drive bit for #14 FH - Phillips screw  
Quantity: (1)

### Insert Removal Instructions

1. Gently press the Suction Cup Tool (SCT) to the left side of the clear lens and slide to the right approximately 1/4" - then pull outward.
2. Carefully remove the clear lens and set aside to access the graphic insert area.

### SCT

